



0.25" 1050 °C

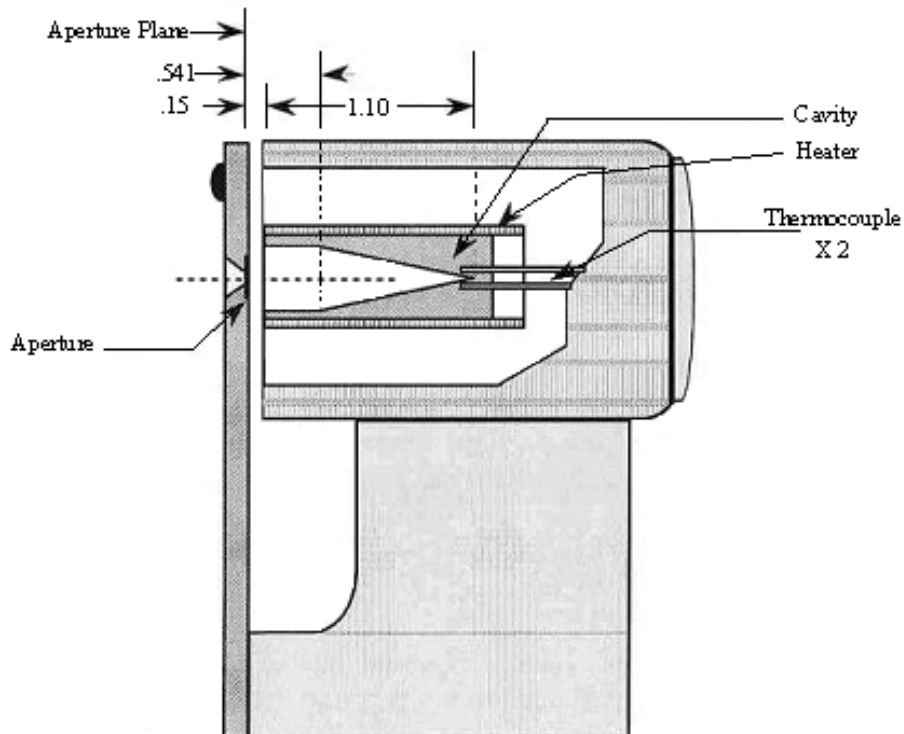
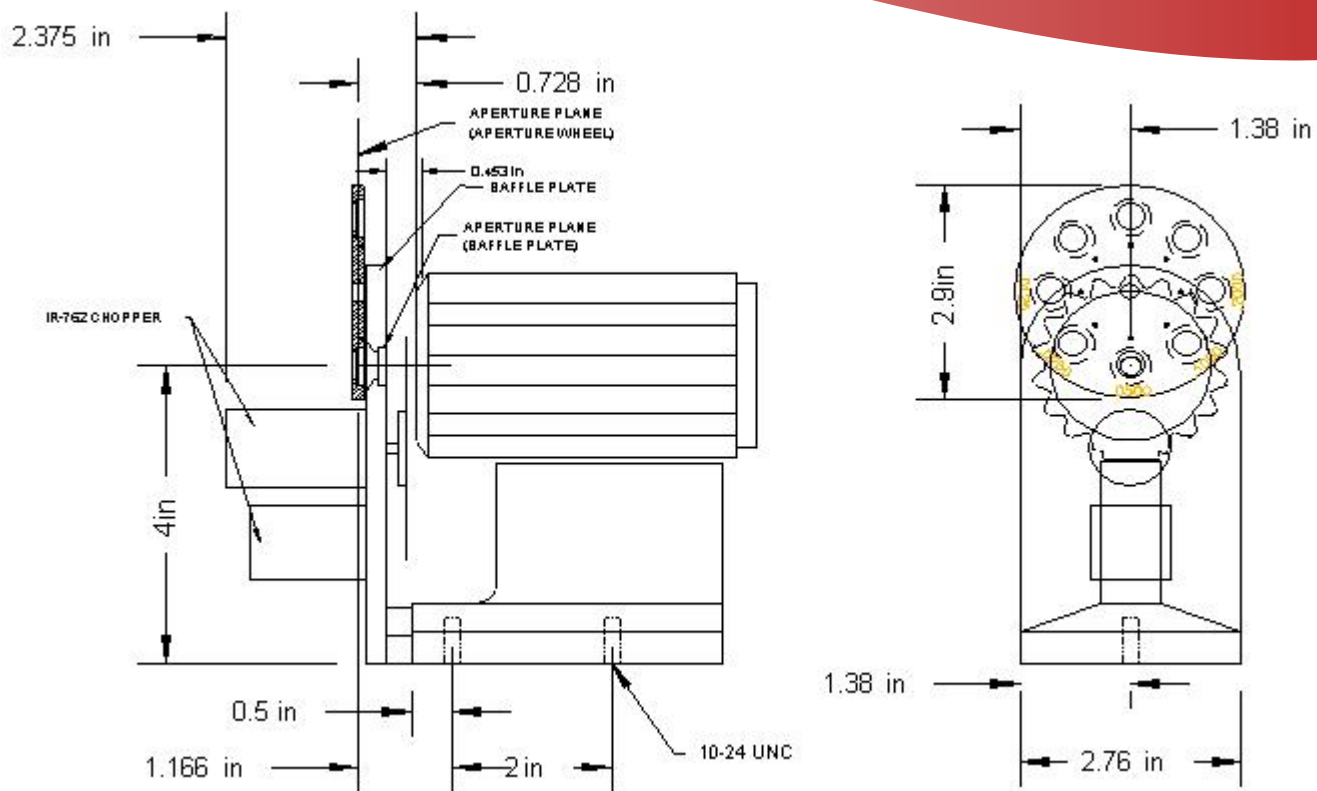
Specifications:

Temperature Range:	50 – 1050 C
Emittance Watts/Cm ² (Watts):	17.36 (5.5)
Wavelength Range:	0.5 - 99um
Emissivity:	>0.99
Emitter Size: in (mm)	0.25" (6.3)
Source Type:	Cavity
Temperature Resolution:	0.1 C
Calibration Accuracy:	+/- 0.2 C to NIST Standard
Stability: Short (Long) Term:	+/- 0.1 C (+/- 0.2C)
Response Time:	100-1000 <30 Minutes
Temperature Sensors:	Embedded 0.01% Matched Type S
Control Type:	Active Multi-Band P.I.D.
Line Voltage:	90 to 125 or 208-240 VAC 50-60 Hz
Power Requirements:	100 Watts Max
Cable Length:	8 Feet (2.4 m)
Dimensions: in (mm)	Source: 3" Diam x 5.9" H x 4.9" D (76.2x150x125)
	Controller: 5.1"H x 13.4"D x 12"W (130x340x304)
	Warranty: 2 Year
Standard Apertures:	0.1" (2.54)
Remote Interface:	RS-232 or IEEE-488/GPIB

OPTIONS AND ADDITIONAL ACCESSORIES:

- ~ Aperture Wheel with Aperture sizes:
0.200", 0.100", 0.050", 0.0250", 0.0125"
- ~ IR-762 Energy Modulator
- ~ RS232 and IEEE/GPIB Communications

IR-508/301 DIMENSIONS



7319 SANDSCOVE CT. #4 Φ WINTER PARK, FL 32792
 (TEL) 407-679-5101 Φ (FAX) 407-679-5520

SALES@INFRAREDSYSTEMS.COM [HTTP://WWW.INFRAREDSYSTEMS.COM](http://WWW.INFRAREDSYSTEMS.COM)